

Thermoregulator
 1M - 1/2 doors

CABINETS PREMIUM
 Remote *freezer*

Code	Av.	Model	Type	Ref.	Brand	Page
110124	12/12	NPT71FFR	1-DOOR FREEZER 670L -15/-22°C, DIGITAL, REM	c	ZAN	2,4,5,6,7
190104	00/00	ESP71FFR7	1-DOOR FREEZER 670L -22/-15°, DIGITAL, REM R407A	b	ELUX PROF	2,4,5,6,7
190988	00/00	ESP71FFR	1-DOOR FREEZER 670L -22/-15°, DIGITAL, REM	d	ELUX PROF	2,4,5,6,7
190B75	00/00	ESP71FFR	1-DR FREEZER 670L -22/-15°, DIGITAL, REM	f	ELUX PROF	2,4,5,6,7
190D53	00/00	ESP71FFR	1-DOOR FREEZER 670L -15/-22°C, DIGITAL, REM	m	ELUX PROF	2,4,5,6,7
190EB7	00/00	ESP72HFRC	2½-DR FREEZER 670L -22°C, DIGITAL, REM	j	ELUX PROF	3,4,5,6,7
190EP5	00/00	CTE72HFC	2x½-DR FREEZ 670L -22/-15,DIG(R290) REM	k	ALPEN	
727257	19/19	ESP71FFR	1-DOOR FREEZER 670L -15/-22°C, DIGITAL, REM	a	ELUX PROF	2,4,5,6,7
727344	13/13	ESP72HFRG	1/2-DOORS FREEZER 670L -15/-22°C, DIGITAL, REM UK	h	ELUX PROF	3,4,5,6,7
727345	12/12	ESP71FFRG	1-DOOR FREEZER 670L -15/-22°C, DIGITAL, REM UK	g	ELUX PROF	2,4,5,6,7
728649	12/12	CTE71FFR	1-DOOR FREEZER 670L -15/-22°C, DIGITAL, REM NCAP	e	ALPEN	2,4,5,6,7
728722	09/09	CTE72HFRG	1/2-DOORS FREEZER 670L -15/-22°C, DIGITAL, REM UK	i	ALPEN	3,4,5,6,7
728723	08/08	CTE71FFRG	1-DOOR FREEZER 670L -15/-22°C, DIGITAL, REM UK	l	ALPEN	2,4,5,6,7

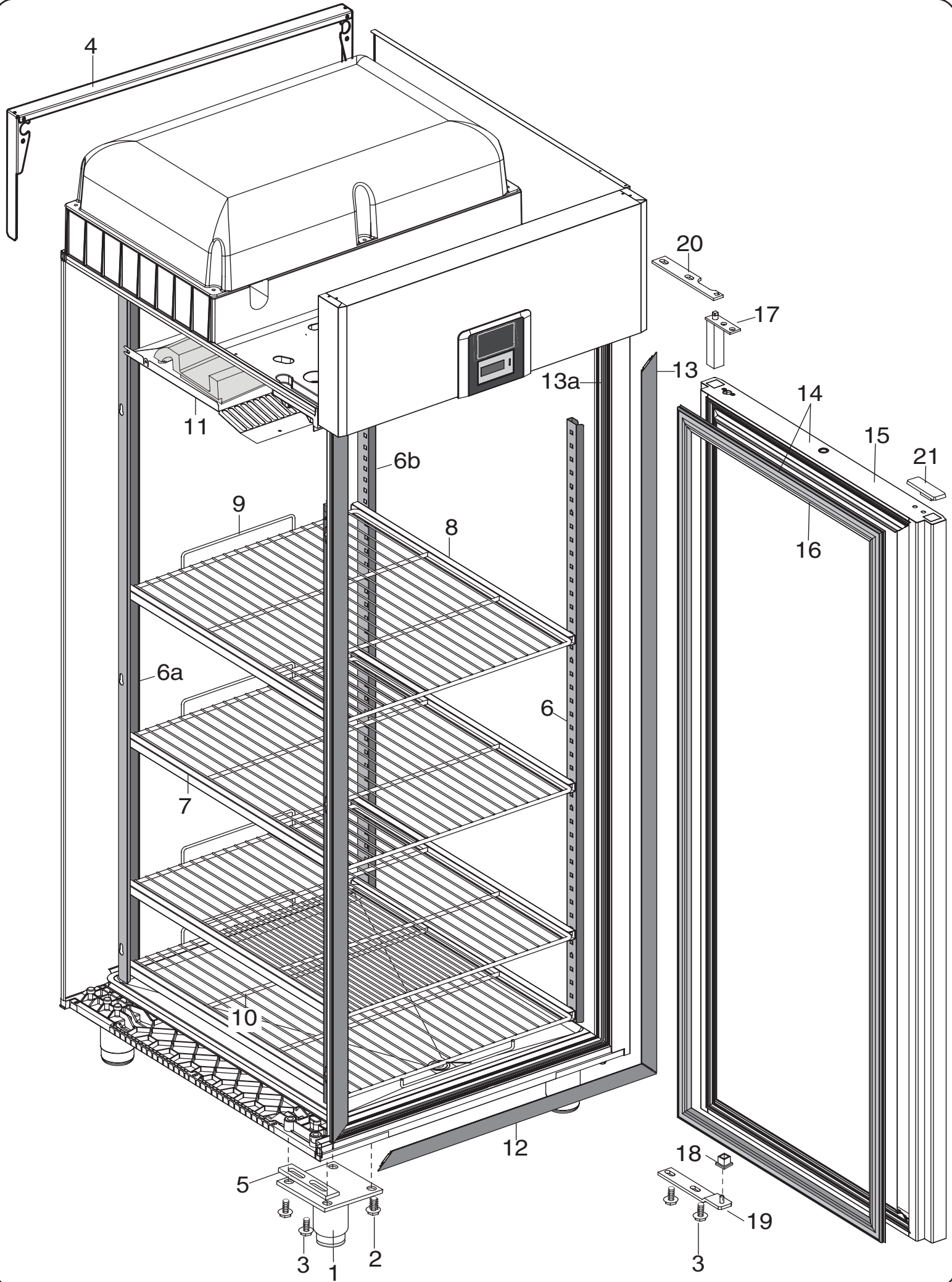
Note: per la corretta identificazione dei componenti, attenersi esclusivamente alle pagine indicate e alla lettera di riferimento.

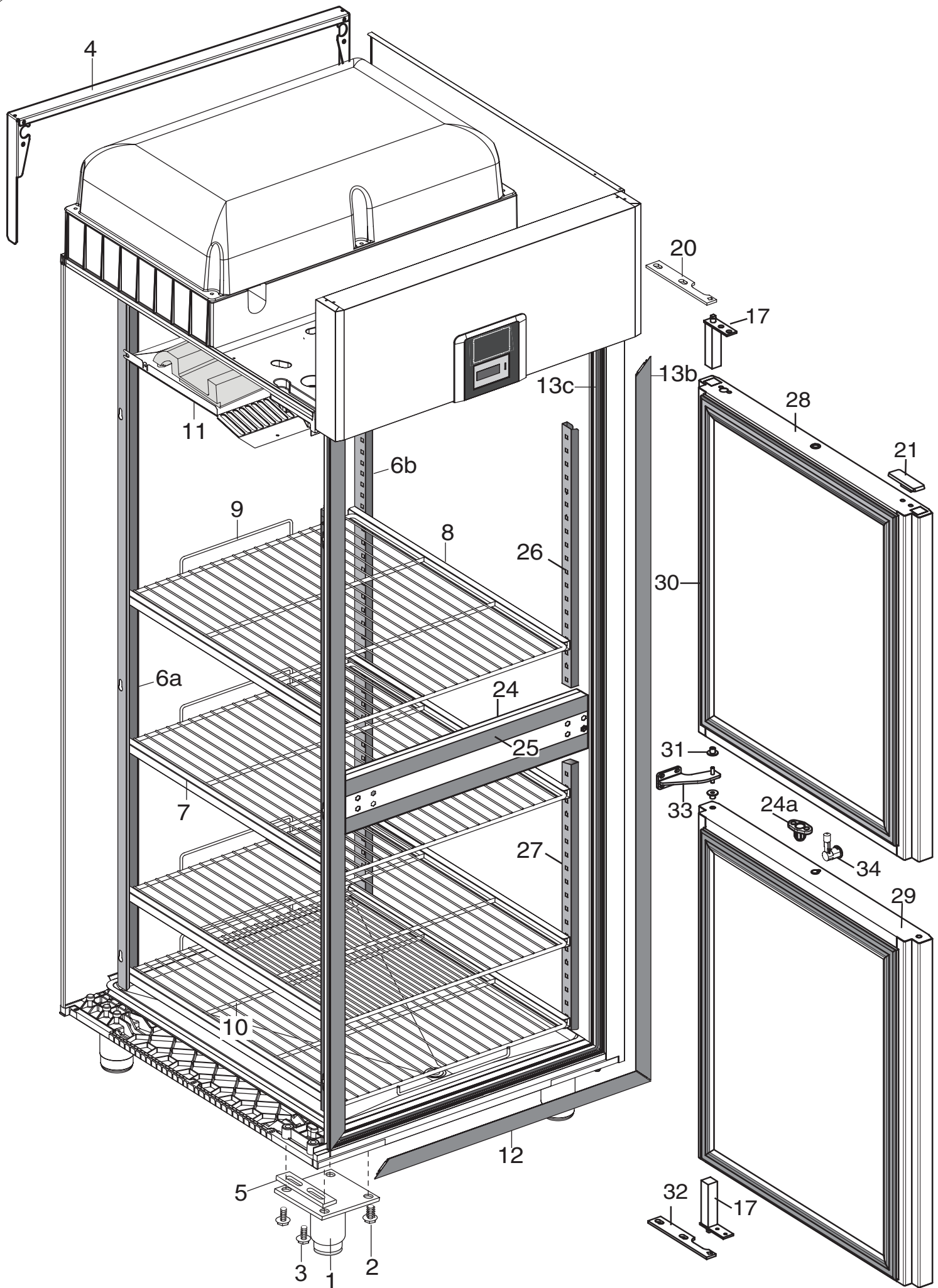
Note: for the correct identification of the components, follow the indicated pages and the reference letter.

New **T.B. VTX2022_01** regarding the new FIME evaporator fan

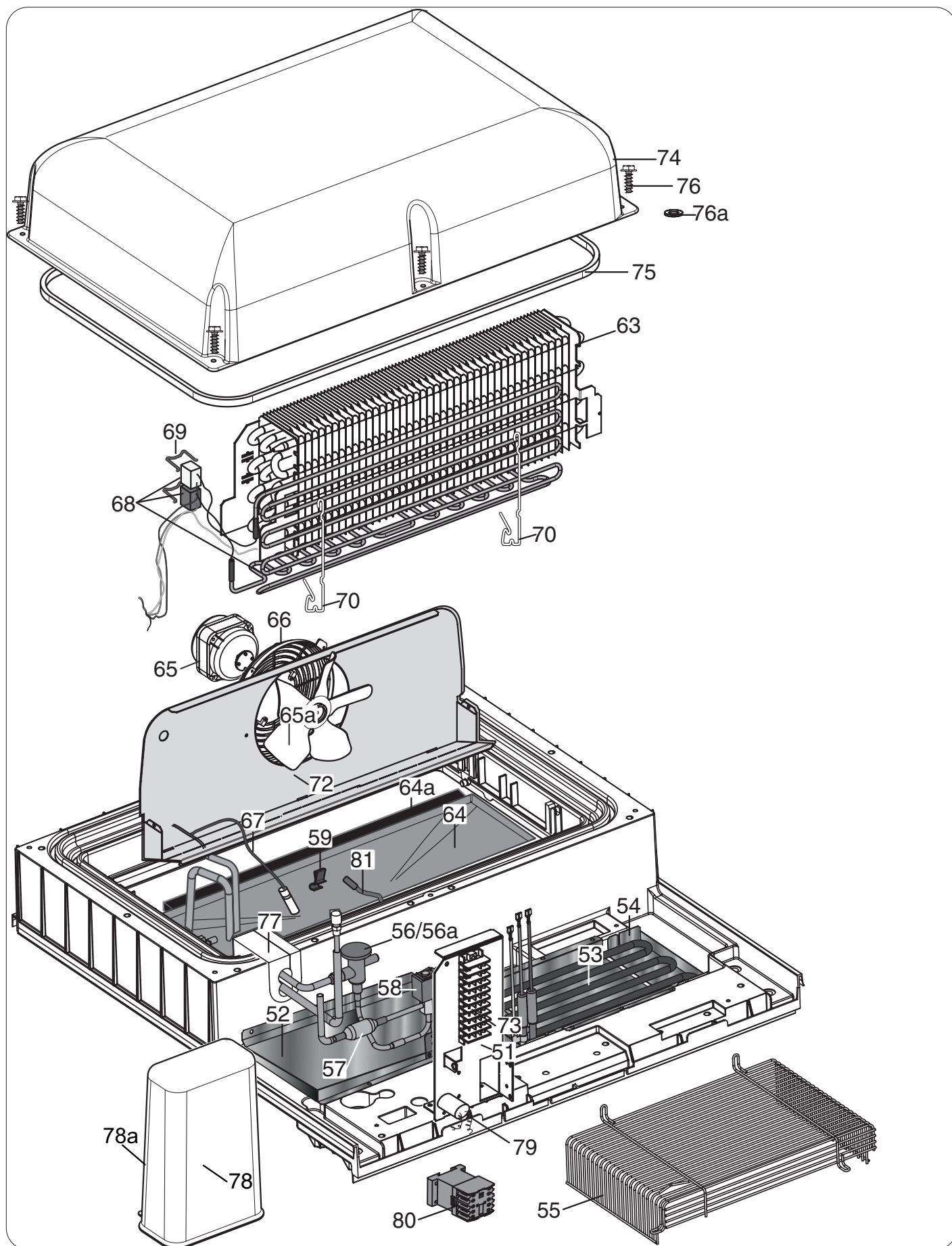
Pag.	Index	Indice
2,3	Cabinet and door	Armadio e porta
4,5	Cooling unit assembly	Gruppo refrigerante
6,7	Control panel	Pannello comandi
8-11	Spare parts list	Lista ricambi

Rev. 7

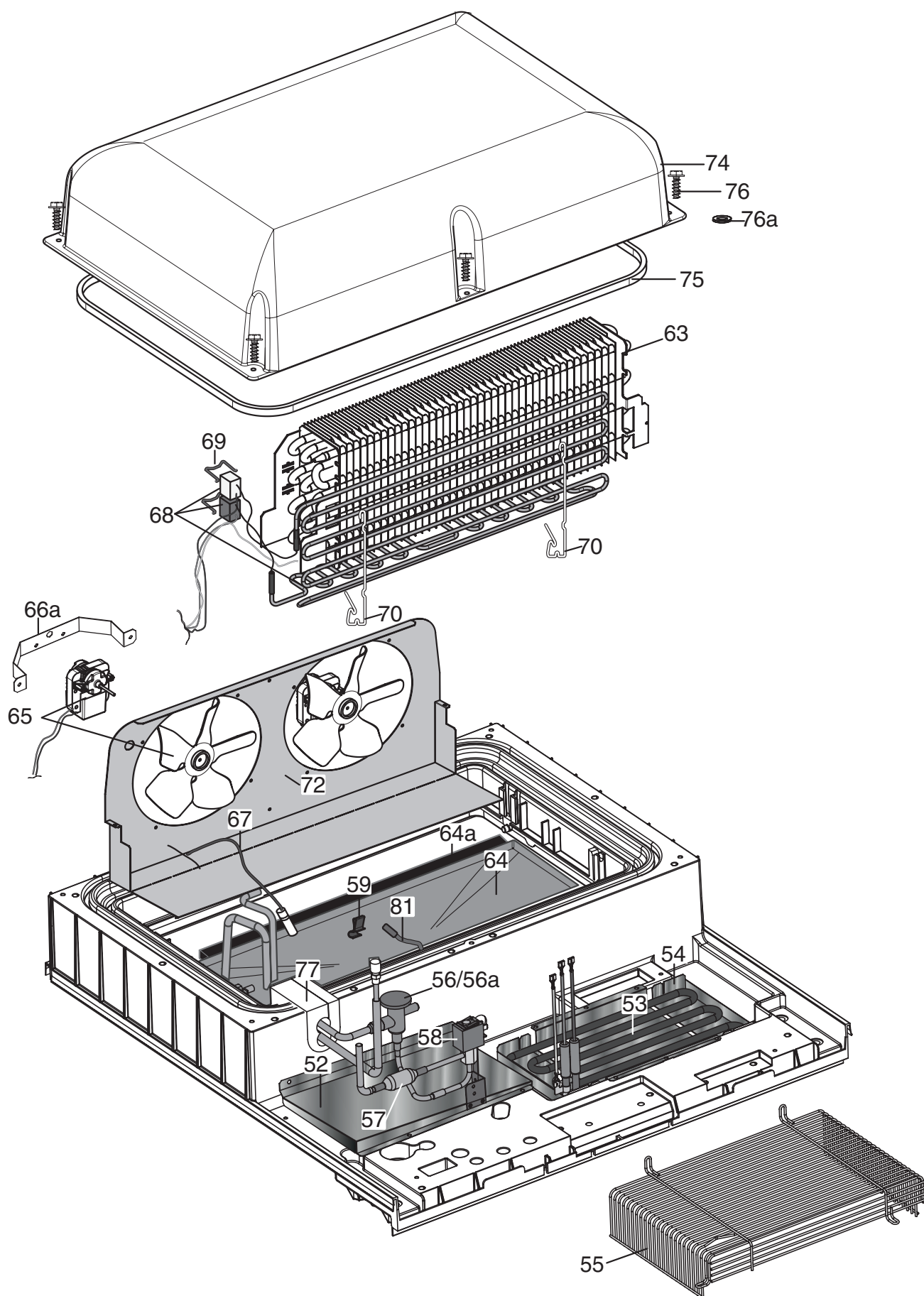




REMOTE COOLING UNIT ASSEMBLY up to 2021/37

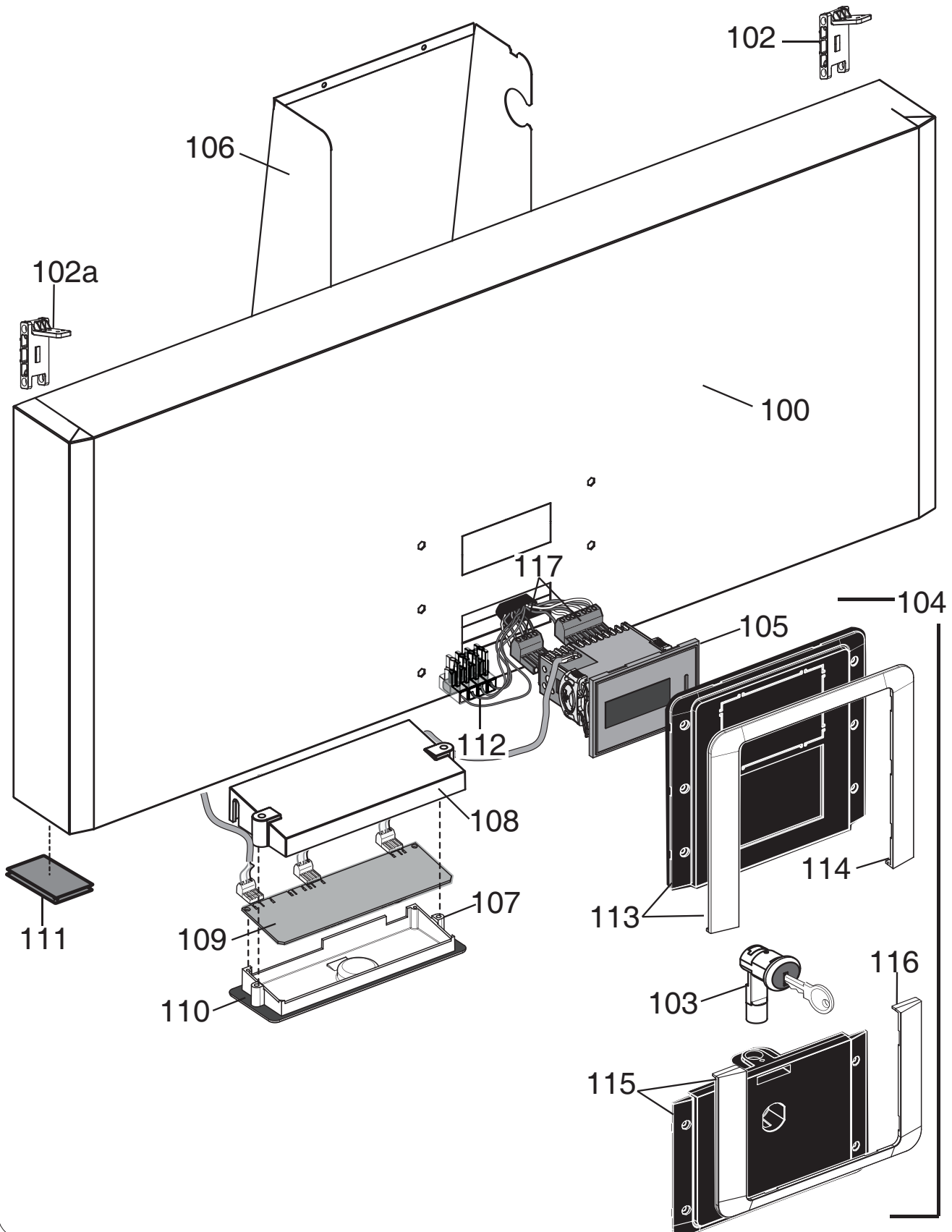


REMOTE COOLING UNIT ASSEMBLY from 2021/38



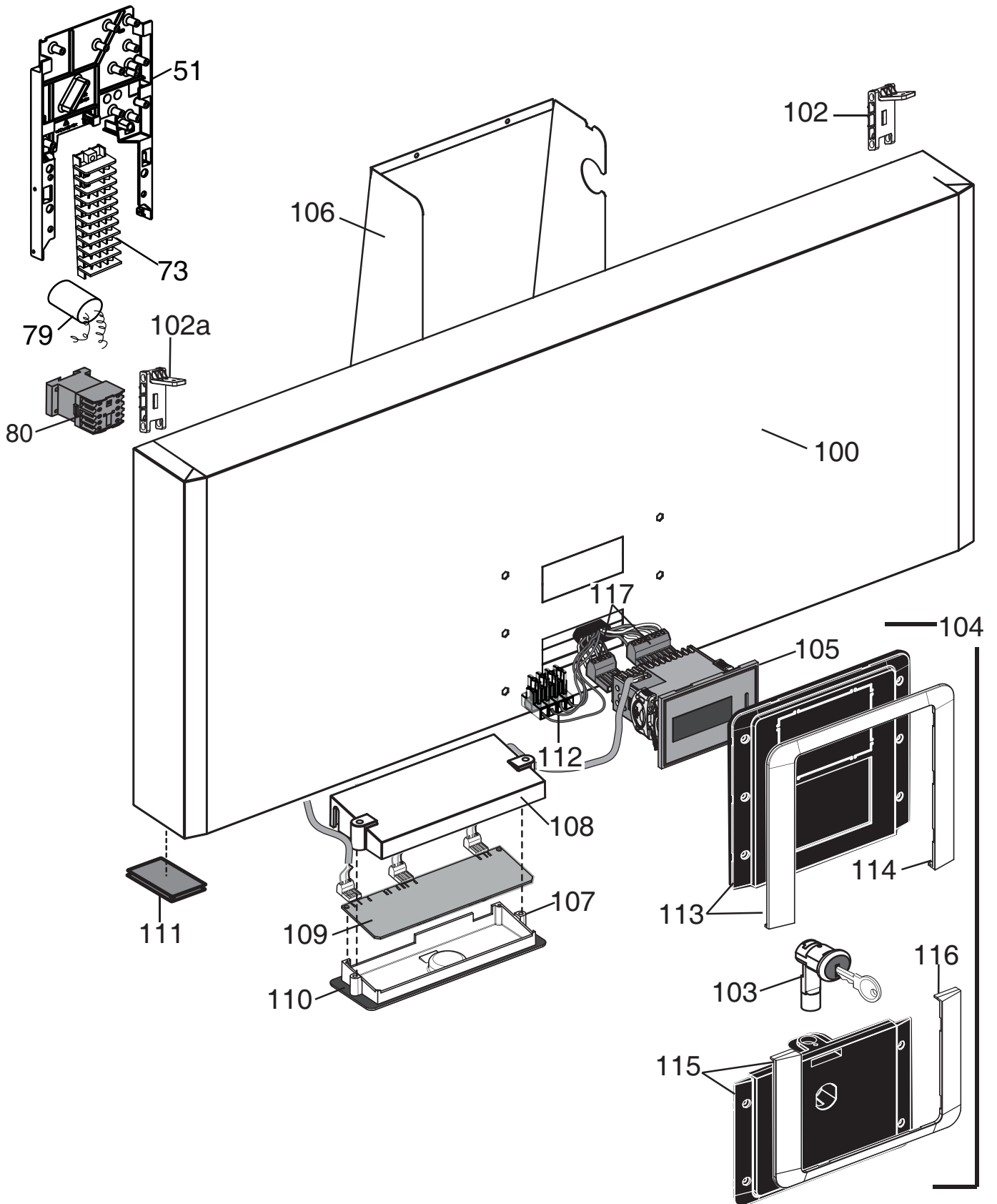
CONTROL PANEL up to 2021/37

99



CONTROL PANEL from 2021/38

99



PNC	Ref.	PNC	Ref.	PNC	Ref.	PNC	Ref.	PNC	Ref.	PNC	Ref.	PNC	Ref.
727257	a	110124	c	728649	e	727345	g	727344	h	728722	i	728723	l
190104	b	190988	d	190D53	m	190EB7	j						

Pos	Spare parts code	Factory code	Descrizione	Description	Ref - Note
1	093243	541R05001	Piedino	Foot	
2	093245	217555204	Vite per plastica per piedino	Screw (use by fix foot)	
3	093246	518708601	Vite M8x20 per fiss. staffa sup/inf	Screw M8X20 (use by fix bracket)	
4	093247	502R17400	Staffa supporto fianchi	Side support (upper)	
5	093248	546R22800	Distanziale per piede	Foot spacer	
6	093355	501R36201	Cremagliera anteriore	Front Rack	
6b	093356	501R48300	Cremagliera posteriore dx 304	Right back rack	
6a	093357	501R36101	Cremagliera posteriore sx 304	Left back rack	
7	093358	501R48000	Guida Sx	Left support	
8	093359	501R48200	Guida Dx	Right support	
9	093252	514R10600	Griglia 2/1 rilsan	Grid 2/1rilsan	a,b,c,d,f,g,h,i,j,l,m
9	093360	514R10700	Griglia 2/1 aisi 304	Grid 2/1 aisi 304	e
9	081883	514702003	Griglia 2/1 aisi 304	Grid 2/1 aisi 304	k
10	093253	514R12200	Griglia di fondo rilsan	Bottom grid rilsan	a,b,c,d,f,g,h,i,j,l,m
10	093296	514R12100	Griglia di fondo aisi 304	Bottom grid aisi 304	e
10	094231	514R17500	Griglia di fondo aisi 304	Bottom grid aisi 304	k
11	097108	875R37600	Carter interno	Internal protection	
12	093254	832R09001	Cornice orrizzontale	Orrizzontal frame	
13	093255	832R09101	Cornice verticale	Vertical frame	a,b,c,d,e,f,g,l,m
13b	093256	832R09301	Cornice verticale 1/2 porte	Vertical frame 1/2 doors	h,i,j,k
13a	093330	617R06701	Cavo riscaldante cornice 22.25W	Heating cable frame 22.25W	a,b,c,d,e,f,g,l Up to 2021/37
13a	094841	617R13200	Cavo riscaldante cornice 22,5 W	Heating cable frame 22,5 W	a,b,c,d,e,f,g,l,m From 2021/38
13c	093331	617R07501	Cavo riscaldante cornice 1/2 porte	Heating cable frame half doors	h,i up to 2021/43
13c	097285	617R07502	Cavo riscaldante cornice 1/2 porte	Heating cable frame half doors	h,i,j,k from 2021/44
14	093523	835R25108	Porta con guarnizione aisi 304 BT	Gasket and door Freezer	a,b,c,d,e,f,g,l,m
15	093524	835R25008	Porta aisi 304 bt	Door freezer	a,b,c,d,e,f,g,l,m
16	093257	548R06802	Guarnizione porta pv/pc	Gasket door (gl/fl)	a,b,c,e,g,l up to 3471
16	094152	548R08000	Guarnizione porta pv/pc	Gasket door (gl/fl)	a,b,c,d,e,f,g,l,m from 3481
17	082219	835704001	Cerniera porta	Hinge door	
18	081654	544700601	Boccola per porta	Door bush	a,b,c,d,e,f,g,l,m
19	093341	833R21600	Staffa inferiore porta	Lower stirrup door	a,b,c,d,e,f,g,l,m
20	082257	505723803	Staffa superiore porta	Upper stirrup door	
21	093271	541R05301	Tappo per cerniere	Hole hinge plug	a,b,c,d,e,f,g,l,m
24a	0TH372	541R06600	Tappo per serratura	Lock plug	
24	093342	880R64100	Traversa per 1/2 porte a304	Support half door a304	
25	093272	832R10000	Cornice per traversa	Support half door frame	
26	093363	501R51700	Cremagliera ant. 1/2 porte sup.	Upper rack 1/2 doors a304	
27	093364	501R46100	Cremagliera ant. 1/2 porte 304 inf.	Lower rack 1/2 doors a304	
28	093546	835R26310	Ass.1/2 porta superiore a304	Upper half door a304	

PNC	Ref.	PNC	Ref.	PNC	Ref.	PNC	Ref.	PNC	Ref.	PNC	Ref.	PNC	Ref.
727257	a	110124	c	728649	e	727345	g	727344	h	728722	i	728723	l
190104	b	190988	d	190D53	m	190EB7	j						

Pos	Spare parts code	Factory code	Descrizione	Description	Ref - Note
-----	------------------	--------------	-------------	-------------	------------

29	093519	835R25509	Ass.1/2 porta inferiore a304	Lower half door a304	
30	093273	548R07100	Guarnizione magnetica 1/2 porte	Half door gasket	h,i up to 3471
30	094153	548R08100	Guarnizione magnetica 1/2 porte	Half door gasket	h,i,j,k from 3481
31	093517	546R23100	Boccola per cerniera 1/2 porte	Half door bush	
32	093301	833R21900	Ass. staffa inf.(reversibile) pv-1\2p	Lower bracket (reversible)	
33	093344	505R12400	Cerniera centrale	Central hinge door	
34	093433	833R21100	Serratura	Serratura	
		880R76610	MOD.GRUPPO 1M BT -15/-22°C REMOTO	MODULE REMOTE GROUP 1M BT -15/-22°C	a,c,e,g,h,i,j,l
		881R58800	MOD.GRUPPO 1-2 M BT -15/-22°C REMOTO	MODULE REMOTE GROUP 1-2 M BT -15/-22°C	b
		882R45500	MOD.GRUPPO 1M BT -15/-22°C REMOTO	MODULE REMOTE GROUP 1M BT -15/-22°C	d
		883R27900	MOD.GRUPPO 1M BT -15/-22°C PREMIUM REMOTO CO2	MODULE REMOTE GROUP 1M BT -15/-22°C PREMIUM REMOTO CO2	f,k
		883R74300	MOD.GRUPPO 1M BT -15/-22°C REMOTO SENZA VALVOLA	MODULE REMOTE GROUP 1M BT -15/-22°C WITHOUT VALVE	m
51	*	502R24300	Supporto impianto elettrico	Electrical wiring support	Up to 2021/37
51	097284	546R43401	Supporto impianto elettrico	Electrical wiring support	From 2021/38
52	093607	501R63701	Sgocciolatoio	Drainer	
53	093605	617R07902	Resistenza evaporazione 100W	Water evaporation heating element	Up to 2021/37
53	097289	617R26100	Resistenza evaporazione 100W	Water evaporation heating element	From 2021/38
54	093606	501R63601	Bacinella evaporazione	Water condensation basin	
55	093604	514R13101	Griglia protezione resistenza	Protection grid	
56	087334	646741000	Valvola termostatica - R404A	Thermostatic Valve - R404A	a,c,e,f,g,h,i,j,l
56		652F00000	Valvola termostatica - R407A	Thermostatic Valve - R407A	b
56	095541	646R13900	Valvola termost. R407C/448A/449A	Thermostatic Valve R407C/448A/449A	d
56a	089614	565717600	Isolante per valvola	Valve insulation	
57	090229	525719000	Filtro meccanico a rete	Filter	
58	093435	646R10501	Valvola solenoide	Solenoid valve	Up to 4151...
58	094435	646R10502	Valvola solenoide	Solenoid valve	From 4161...
59	093547	514R12900	Molla per fissaggio resistenza	Spring to retaining heating element	
63	093335	830R04001	Evaporatore 3R 8T	Evaporator 3R 8T	Up to 6441
63	094576	830R10600	Evaporatore 3R 8T	Evaporator 3R 8T	From 6451
63		830R02D00	Evaporatore 3R 8T CO2	Evaporator 3R 8T CO2	f,k
64	093278	833R21201	Vaschetta evaporatore	Evaporator tray	
64a	093409	548R07200	Isolamento per vaschetta	Basin insulation	
65	096661	682R12800	Ventilatore evaporatore (EBM)	Evaporator fan (EBM)	Up to 2021/37 See TB VTX2022_01
65	097000	682R02C00	Ventilatore evaporatore (FIME)	Evaporator fan (FIME)	From 2021/38 See TB VTX2022_01
65a	093411	511R01100	Ventola 154	Fan 154	Up to 2021/27 See TB VTX2022_01

PNC	Ref.	PNC	Ref.	PNC	Ref.	PNC	Ref.	PNC	Ref.	PNC	Ref.	PNC	Ref.
727257	a	110124	c	728649	e	727345	g	727344	h	728722	i	728723	l
190104	b	190988	d	190D53	m	190EB7	j						

Pos	Spare parts code	Factory code	Descrizione	Description	Ref - Note
-----	------------------	--------------	-------------	-------------	------------

66	093412	514R12300	Griglia evap.	Fan protection	Up to 2021/37 See TB VTX2022_01
66a	093326	502R52400	Staffa ventilatore	Fan support	From 2021/38
67	092173	646R06700	Sonda cella	Cell probe	
68	093347	617R06201	Resistenza con termostati 3-4R 400W	Heating element with thermostat	Up to 2021/37
68		617R25500	Resistenza con termostati 3-4R 400W	Heating element with thermostat	From 2021/38
69	093487	514R11600	Molla per fissaggio termostati	Thermostat spring	
70	093516	514R11200	Molla per fissaggio resistenza 3R	Heating element spring 3R	
72	094168	501R71901	Convogliatore evaporatore	Evaporator conveyer	Up to 2021/37 See TB VTX2022_01
72	093314	501R44803	Convogliatore evaporatore 2 fori	Evaporator conveyer	From 2021/38 See TB VTX2022_01
73	093528	639R09900	Morsettiera	Clamp	
74	093261	835R24101	Assieme Calotta	Evaporator cover	Up to 6181
74	*	835R47601	Assieme Calotta	Evaporator cover	From 6191
75	093262	14701R003	Neoprene espanso 8x13,3 nero (M4)	Gasket cover (neoprene 8x13,3)	
76	093245	217555204	Vite senza punta x plastica	Cover screw	
76a	*	546R23900	Rondella in teflon	Bush	
77	093614	546R25800	Tamponcino per tubi	Pipe cover insulation	
78	094425	546R26501	Copertura scatola impianto elettrico	Wiring box cover	Up to 2021/37
78a	093976	546R26701	Scatola impianto elettrico	Wiring box	Up to 2021/37
79	096636	694R00502	Filtro antidisturbo	Electrical filter	
80	088557	648727100	Teleruttore	Contacteur	
81	093415	617R07801	Resistenza scarico condensa	Heating element for discharge water condenser	
99	*	880R77704	Crus. compl. senza mascherina A304	Panel complete without template A304	Up to 2021/37
99		883R21702	Cruscotto senza mascherina A304	Panel without template A304	From 2021/38
99		883R31801	Cruscotto senza mascherina A304	Panel without template A304	j,k
100	093525	509R13404	Cruscotto comandi	Panel 304 AISI	Up to 2021/37
100	097276	509R25001	Cruscotto comandi	Panel 304 AISI	From 2021/38
102	093609	832R10100	Cerniera per cruscotto DX	Right Hinge for panel	
102a	093610	832R10200	Cerniera per cruscotto SX	Left Hinge for panel	
103	093345	833R20900	Serratura	Latch	
104	093383	855R11102	Ass.macherina porta/cruscotto elux	Complete template door and panel	a,b,d,f,g,h,j,m
104	093384	855R11200	Ass.macherina porta/cruscotto zan	Complete template door and panel	c,d
104	093385	855R11300	Ass.macherina porta/cruscotto alp	Complete template door and panel	e,i,l,k
105	093437	646R10601	Termoregolatore ir33 premium pc	Thermoregulator premium	To be set
106	094389	501R37403	Protezione	Protection led-lamp	Up to 2021/43
106	097245	504R35000	Protezione	Protection	From 2021/44
107	093386	546R19501	Supporto scheda led	Support led-lamp	
108	093387	546R19600	Protezione scheda led	Protection led-lamp	
109	093388	648R05500	Scheda led depotenziata	Led-lamp board	
110	093390	569R05900	Guarnizione per scheda led	Led-lamp board gasket	
111	093269	541R05401	Tappo per cerniera porta	Door hinge plug	

PNC	Ref.	PNC	Ref.	PNC	Ref.	PNC	Ref.	PNC	Ref.	PNC	Ref.	PNC	Ref.
727257	a	110124	c	728649	e	727345	g	727344	h	728722	i	728723	l
190104	b	190988	d	190D53	m	190EB7	j						

Pos	Spare parts code	Factory code	Descrizione	Description	Ref - Note
-----	------------------	--------------	-------------	-------------	------------

112	093391	639R10400	Morsetto	Clamp	
113	*	855R10200	Ass.mascherina cruscotto	Assembled template panel Elux	a,b,d,f,g,h,j,k,m
113	*	855R10300	Ass.mascherina cruscotto	Assembled template panel Zan	c,d
113	*	855R10400	Ass.mascherina cruscotto	Assembled template panel APX	e,i,l
114	*	546R20000	Cornice mascherina cruscotto	Template frame panel	a,b,d,f,g,h,j,k,m
114	*	546R20100	Cornice mascherina cruscotto	Template frame panel	c,e,i,l
115	*	855R10501	Ass. Mascheria Porta Elux	Assembled template Door Elux	a,b,d,f,g,h,j,k,m
115	*	855R10600	Ass. Mascheria Porta Zan	Assembled template Door ZAn	c,d
115	*	855R10700	Ass. Mascheria Porta APX	Assembled template Door APX	e,i,l
116	*	546R20200	Cornice mascherina porta elux	Template frame door elux	a,b,d,f,g,h,j,k,m
116	*	546R20300	Cornice mascherina porta Zan, APX	Template frame door Zan, APX	c,e,i,l
*	093491	217541085	Vite per fissaggio mascherina M3x8	Screws M3X8 for control door/panel	
117	*	639R06800	Connettore dritto 3 vie	Connector 3 ways right	
117	*	639R06900	Connettore dritto 7 vie	Connector 7 ways right	
117	099740	*	Connettore 90° 7 vie	Connector 7 ways 90°	
117	099741	*	Connettore 90° 5 vie	Connector 5 ways 90°	
117	088998	*	Connettore 90° 3 vie	Connector 3 ways 90°	
117	099743	*	Connettore 90° 3 vie piccolo	Connector 3 ways 90° small	
117	099742	*	Connettore 90° 2 vie	Connector 2 ways 90°	
117	091682	*	Connettore 90° 4 vie	Connector 4 ways 90°	
117	091684	*	Connettore 90° 5 vie	Connector 5 ways 90°	
*	093180	639R09600	Convertitore spina UK	UK plug converter	g,h,i,l